

Offshore Chemical and Helifuel Tanks



Container Bases - Australia

Ferguson Seacabs Pty Ltd
24/7 Tel: + 61 (0) 413 798 688

Perth Office

124 Quill Way, Henderson, WA, 6166
Tel: + 61 (0) 8 9410 5454 Fax: + 61 (0) 8 9437 9904
General email: perth@fergusonseacabs.com.au

Dampier Office

King Bay Road, Dampier, WA 6713
Tel: + 61 (0) 8 9144 2611 Fax: + 61 (0) 8 9144 2633
General email: dampier@fergusonseacabs.com.au

Darwin Office

Lot 1703 McKinnon Road, Pinelands. NT. 0828
Tel: + 6 (0) 8 8932 8700 Fax: + 61 (0) 8 8932 8788
General email: darwin@fergusonseacabs.com.au

Also represented in Victoria

International Bases

Head Office
Ferguson Group Limited
Harlaw Drive
Inverurie
Aberdeen AB51 4SF
Scotland
Tel: + 44 (0) 1467 626500
Fax: + 44 (0) 1467 626559
email: info@fergusonmodular.com

Container Base - Singapore

Ferguson Seacabs Pte Ltd
Tel: + 65 6545 4700
Town Office
Tel: + 65 6549 7714
email: containers@fergusonseacabs.com.sg

Container Base - Scotland

Ferguson Seacabs Ltd, Aberdeen
Tel: + 44 (0) 1224 706464
email: containers@fergusonseacabs.com

Container Bases - Norway

Ferguson Norge AS
Tananger, Norway
Tel: + 47 51 64 79 00
email: ferguson@fergusonnorge.no
Bergen (CCB, Agotnes)
Tel: + 47 56 31 40 90
email: ferguson@fergusonnorge.no
Also in Florø and Kristiansund
email: ferguson@fergusonnorge.no
Also represented in New Zealand, Dubai, Qatar,
Trinidad, Malta, Libya

- All units designed, manufactured and fully certified to DNV 2.7-1 / EN 12079 standards
- Flat mesh covers on roofs to eliminate tripping hazards
- All valves are easily accessible
- Steps have anti slip surfaces
- Document pouches are standard
- Available 24 hours per day, 365 days per year

Sizes Available

A	B	C
6ft	6ft	7ft
6ft	6ft	8ft

(1ft = 0.305m)

Capacities Available

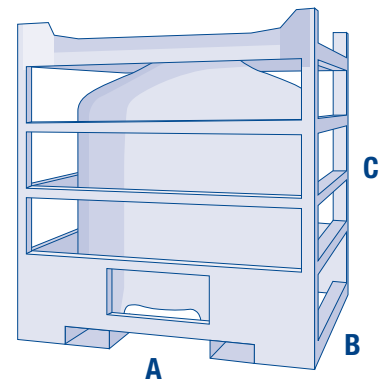
Litres	
2,900	4,000

Tare Weight

1,790	1,970
-------	-------

Payload

2,710	6.030
-------	-------



Products Available

Full Range of Containers, Cargo Baskets, Half Heights, Open Tops, Cargo Boxes, Gas Bottle Racks, Drill Cutting Bins, Waste Units, Compactors, Pipe Baskets, Workshop Units, Tubular Transportation Frames, A60 Modules and Offshore Chemical and Helifuel Tanks.



providing containers
around the world

www.fergusonseacabs.com.au

